

SHERRY & SPARKLING

'London Docks... the aroma of spices lingering between its warehouses, with their far-famed wine cellars... When one talks of the Thames docks, "beauty" is a vain word, but romance has lived too long upon this river not to have thrown a mantle of glamour upon its banks.' - Joseph Conrad

Historically the docklands were the world's largest port, enabling London to lead as the centre for trade, innovation and as a hub for

the UK to experience the world's flavours. Our list follows these themes of exploration, innovation and revelation by bringing you wines,

both classic and modern, so you can traverse the globe from the comfort of Bōkan. Allow us to take you on a journey of discovery.

EMBARKING

Begin your journey with a classic...

	75ml	Bottle
MICAELA MANZANILLA SHERRY, BODEGAS BARON Spain Dry, salty, nutty, like a refreshing stroll along the seafront.	3.00	28.50
MICAELA OLOROSO, BODEGAS BARON Spain Dry, deep & rich, with lively orange peel, almonds & hazelnuts.	3.50	33.00

DON'T BE SHY...

If you have any questions about pairing the right wine with your meal then please have a chat to our staff.

EFFERVESCENCE

A medley of sparkling wines to sip & savour throughout your journey...

	125ml	Bottle	125ml	Bottle
NYETIMBER CLASSIC CUVÉE England With over a quarter century of experience, Nyetimber bring you this multi vintage bubbly. Baked apple & honeyed pastry notes.	10.00	62.00	IL COLE PROSECCO BRUT Italy Premium, single-vineyard Prosecco. William pear, elderflower & brioche.	7.00 40.00
NYETIMBER BLANC DE BLANCS 2009 England The first English winery to create a 100% Chardonnay sparkling wine. Floral & fresh citrus, with a rich pastry finish.		72.00	TAITTINGER BRUT RÉSERVE France Delectably bright with citrus & gentle toasty notes.	12.00 74.00
NYETIMBER ROSÉ N.V England Creamy with raspberry, cherry & a touch of lavender.		69.00	TAITTINGER PRESTIGE BRUT ROSÉ France Blushing with sassy summer-fruit compote & biscuit.	13.50 77.00
			TAITTINGER PRELUDE Champagne, France 100% Grand Cru blend of Chardonnay & Pinot Noir. Elegant & mineral with a complex structure & flavours of citrus & white peaches.	85.00

Please ask for extended wine list.

All prices are in pounds Sterling and inclusive of VAT at the current rate. A discretionary 12.5% service charge will be added to your bill. Vintages may be subject to change according to availability. Please drink responsibly.

SHERRY / SPARKLING

RE-DISCOVERED

Well-known classics -
the inception of the wine journey...

	175ml	Bottle
CUVEE LE BOSQ WHITE France Honest French wine - reminiscent of French holidays.	6.65	28.50
VINHO VERDE, QUINTA DE AZEVEDO Portugal A spritzzy classic white with lemony freshness.	7.00	31.00
BOURGOGNE CHARDONNAY COUVENT DES JACOBINS, LOUIS JADOT France Rounded orchard fruits & hazelnut touches.		36.00
CHABLIS, LADICHELLE, PIERRE DUPOND France Chardonnay in its most steely, mineral-fresh form.	9.70	40.00
CHÂTEAU LAMOTHE-BOUSCAUT BLANC, PESSAC-LÉOGNAN France Oaked Semillon-Sauvignon. Tropical, toasty & silky.		40.00
ERRÁZURIZ SINGLE VINEYARD SAUVIGNON BLANC, ACONCAGUA COSTA Chile Premium citrusy, herbaceous Sauvignon with Pacific ocean freshness.	8.45	35.00

RE-INVENTED

Twists on the classics -
well known grapes, or regions, evolved to excite...

	175ml	Bottle
TE KAIRANGA RIESLING, MARTINBOROUGH New Zealand Abandon your preconceptions! Floral, lime zest & crisp apple with a hint of sweetness.		32.50
TE AWA LEFT FIELD SAUVIGNON BLANC, Nelson New Zealand Go 'Left Field!' Tropical Sauvignon, with lemongrass vibrancy from the lesser-known Nelson.	8.45	35.00
NEDERBURG THE ANCHORMAN CHENIN BLANC, WESTERN CAPE South Africa Gentle oak & lees ageing results in ripe apricot, spice & floral notes.		33.00
LA MARIMORENA ALBARIÑO, RÍAS BAIXAS Spain Textural grapefruit peel, zesty lemon, pear & a clean 'sea-breeze' finish.	8.10	33.50
MEIOMI CHARDONNAY USA Tempting stone-fruit & butterscotch, balanced with fresh acidity.		40.00
CONTINO RIOJA BLANCO Spain Prestigious white Rioja, aged in French oak on its lees, creating a silky palate punctuated with spice & white peach.		55.00

REVELATION

Trailblazing wines -
for those who like to explore off the beaten track...

	175ml	Bottle
ÁNIMA DE RAIMAT BLANCO, COSTERS DEL SEGRE Spain Sexy Chardonnay, Albarino & Xarel-lo blend. Nectarine, melon & grapefruit zest with subtle thyme & acacia.	6.25	26.00
BÉRES TOKAJI FURMINT Hungary Furmint, the grape used in Tokaji - the dessert wine, here is dry & richly textured, with melon, apricot & almond flavours.		27.00
LES COLLINES DE LAURE BLANC, JEAN-LUC COLOMBO, IGP MÉDITERRANÉE France Interesting fusion of Vermentino, Viognier, Sauvignon & Muscat, artfully marries juicy peach, with fennel & meadow flowers.	7.75	34.00
SAN SALVATORE PIAN DI STIO FIANO, PAESTUM Italy A sharing bottle of exuberant jasmine, citrus zest & a refreshing stone-fruit character.		35.00 500ml
EL GORDO DEL CIRCO VERDEJO, RUEDA Spain Bright & aromatic. Orchard & tropical flavours, with a spicy richness.		32.50
PECORINO ABRUZZO, GIOCHEREMO CON I FIORI, TORRE DEI BEATI Italy Pear & jasmine on the nose lead to a zingy palate, with fennel & rosemary touches.	8.20	34.00

RE-DISCOVERED

Well-known classics -
the inception of the wine journey...

	175ml	Bottle
CUVEE LE BOSQ ROUGE France Think hearty meals in the French Alps - juicy & rounded.	6.65	28.50
THE INVISIBLE MAN TEMPRANILLO, RIOJA ALTA Spain Not your average Rioja. Modern fruit-forward style with red cherry & vanilla hints.	8.45	35.00
CHÂTEAU DE FESLES CABERNET FRANC, ANJOU, LOIRE France Versatile, light-bodied wine with wild berry & pepper notes.	7.10	34.50
CHÂTEAU LYONNAT, LUSSAC SAINT-ÉMILION France Powerful, yet supple. Spiced fruit loaf, plum & vanilla.		37.00
BOURGOGNE PINOT NOIR COUVENT DES JACOBINS, LOUIS JADOT France Crunchy cranberry & earthy smokiness. A classic Burgundian Pinot.		38.00
GRANFORT MERLOT, PAYS D'OC France Humble Merlot elevated to a juicy, plummy number.	5.75	24.00
ALPASIÓN MALBEC, MENDOZA Argentina Intoxicating blueberry & blackberry, interlaced with coffee bean & dark chocolate shavings.		47.00

RE-INVENTED

Twists on the classics -
well known grapes, or regions, evolved to excite...

	175ml	Bottle
ATAMISQUE SERBAL CABERNET FRANC, TUPUNGATO, MENDOZA Argentina Hand-harvested & carefully crafted. Enticing, juicy red-berry & bramble, with delicate herbaceousness.		32.00
LES COLLINES DE LAURE SYRAH, JEAN-LUC COLOMBO, IGP MÉDITERRANÉE France Young Cornas vines create this generously fruity, spicy warmer.	7.85	32.50
NEDERBURG THE BREWMASTER CABERNET SAUVIGNON, WESTERN CAPE South Africa A clever re-design of a Bordeaux classic. Concentrated kirsch & cigar box aromas, with rich blackcurrant & black olive flavours.		35.00
MEIOMI PINOT NOIR, MONTEREY, SONOMA, SANTA BARBARA USA Sumptuous strawberry & blackberry compote, with a supple dark chocolate finish.	9.70	40.00
UNO DUE CINQUE PRIMITIVO DEL SALENTO, FEUDI SALENTINI Italy Italian Zinfandel boisterously bursting with plum, black cherry & a velvety cocoa finish.		25.50
JJ HAHN WESTERN RIDGE 1975 PLANTING SHIRAZ, BAROSSA VALLEY Australia Outstanding explosion of baked blackberries, fig & mocha - punctuated with pepper.		42.00

REVELATION

Trailblazing wines -
for those who like to explore off the beaten track...

	175ml	Bottle
CASA FERREIRINHA PAPA FIGOS, DOURO Portugal Enticing blend of Port grapes. Bold red & black fruits with cocoa & cedar notes.	7.60	32.00
CHALK HILL GRENACHE TEMPRANILO, MCLAREN VALE Australia Spain meets Australia in this quirky union - hedgerow fruits & warming spice.		35.50
LOSADA CRIANZA, BIERZO Spain A rare & mysterious Mencia - soft, plump cherries with a delicate smoky background.	8.50	35.00
SAN SALVATORE JUNGANO AGLIANICO, PAESTUM Italy Intense. Deep mulberry & hedgerow fruit accented with cinnamon & pepper.		39.50
ALEXANDER VS THE HAM FACTORY, TINTO FINO, RIBERA DEL DUERO Spain Spanish perfection! Layered deep cherry, nutmeg, green olive & a tannin-fuelled strong finish.	10.50	45.00
MAQUINON GARNATXA, PRIORAT Spain Garnacha jazzed up with Cab Sauv & Mazuela - brooding black fruits, cedar & spice.		38.00

RE-DISCOVERED

Well-known classics -
the inception of the wine journey...

	175ml	Bottle
<p>CUVEE LE BOSQ ROSÉ France Picture a sunny French terrace, sipping chilled strawberry-laced rosé.</p> <p>MIRABEAU PURE ROSÉ, CÔTES DE PROVENCE France Epitomising sophistication. Wild strawberry, grapefruit & orange blossom.</p>	6.65	28.50
	8.45	35.00

RE-INVENTED

Twists on the classics -
well known grapes, or regions, evolved to excite...

	175ml	Bottle
<p>CHÂTEAU DE FESLES ROSÉ D'ANJOU, LOIRE France Off-dry & intensely fruity. Strawberry & cherry in abundance.</p>		31.00

REVELATION

Trailblazing wines -
for those who like to explore off the beaten track...

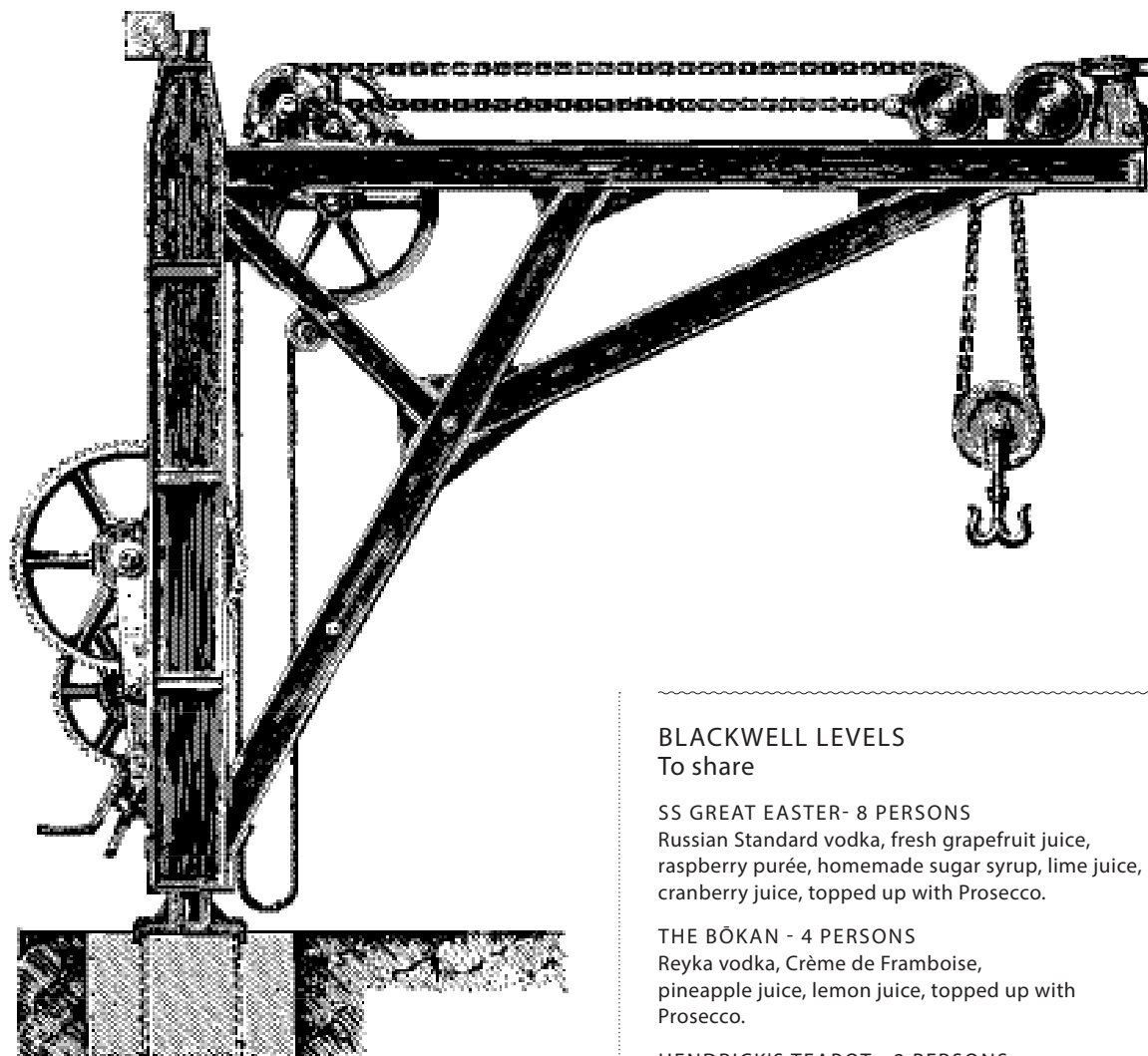
	175ml	Bottle
<p>LEFTFIELD ROSÉ, HAWKES BAY New Zealand Innovative Merlot, Pinotage & Arneis blend. A rich pink, full of raspberry & cranberry.</p>		31.00

PORT

DOCKING

Port has been shipped to the Docklands since the 18th century and rose in popularity when wars with the French and Spanish cut off traditional markets. The wines did not travel well so they were fortified with Brandy to preserve the wine. The English developed a taste for these sweeter wines marking the birth of Port and its treasured place in our culture.

	75ml	Bottle	75ml	Bottle
			8.50	63.00
<p>GRAHAM'S LATE BOTTLED VINTAGE PORT Portugal Concentrated cherry & blackcurrant, with a hint of liquorice spice.</p> <p>GRAHAM'S 10 YEAR OLD TAWNY PORT Portugal Roasted nuts with luscious honey, fig & exotic spice.</p>		40.00		
	6.00	46.00		
<p>GRAHAM'S 20 YEAR OLD TAWNY PORT Portugal Burnt toffee, baked plum & dried figs.</p> <p>GRAHAM'S QUINTA DOS MALVEDOS VINTAGE PORT Portugal One of the Douro's best vineyards creates this luscious sweet blackberry & spiced plum port.</p>			500ml	35.00



BLACKWELL LEVELS

To share

SS GREAT EASTER- 8 PERSONS 78.00

Russian Standard vodka, fresh grapefruit juice, raspberry purée, homemade sugar syrup, lime juice, cranberry juice, topped up with Prosecco.

THE BÖKAN - 4 PERSONS 45.00

Reyka vodka, Crème de Framboise, pineapple juice, lemon juice, topped up with Prosecco.

HENDRICK'S TEAPOT - 2 PERSONS 28.00

Hendrick's gin, Sipsmith sloe gin, Italicus Rosolio Di Bergamotto, lychee juice, lemon juice, splash of soda water.

THE WEST INDIA DOCKS

Fresh, fruity & light

MERCHANTMAN 13.50

Russian Standard Original infused vanilla vodka, fresh chilli, honey, fresh lemon juice.

CUTTY SARK 1869 13.50

Russian Standard vodka, sake classic, geranium & pomegranate juice, fresh lime juice, homemade shiso & mint syrup.

THE GMT 13.50

Beefeter London Dry gin, Butterfly Blue Pea flower infused St. Germain elderflower liqueur, lemon juice, egg white.

MILLIGAN'S MAST 13.50

Hendrick's gin, quince & pear purée, fresh lemon juice, egg white, fresh lemon, thyme, sugar syrup, topped up with soda.

WEST INDIAMAN 14.50

Havana Club 7 years rum, homemade white tea syrup, guava juice, fresh lime juice.

THE RED SEAL 15.00

Hakushu distillery reserve whisky, fresh lemon juice, egg white, matcha tea powder, homemade hibiscus syrup.

BOWSPRIT 13.50

Olmecca Silver tequila, apricot purée, homemade English garden syrup, lime juice, topped up with Fentimans rose lemonade.



THE EAST INDIA DOCKS

Delicate, exotic & sharp

ARCTIC BRIDGE 12.50

Russian Standard vodka, Roots Tentura liqueur, homemade cinnamon syrup, cardamom foam, fresh lime juice, topped up with Fentimans ginger beer.

ROYAL CAPTAIN 13.50

Hendrick's gin, lavender infused Mancino Vermouth Bianco, elderflower cordial, cold jasmine tea, grapefruit bitters, topped up with soda.

LIGHTERMAN 12.50

Colombian Ortoodoxy gin, cucumber, St. Germain elderflower liqueur, apple juice, fresh lemon juice.

SCOTCH MARINER 13.50

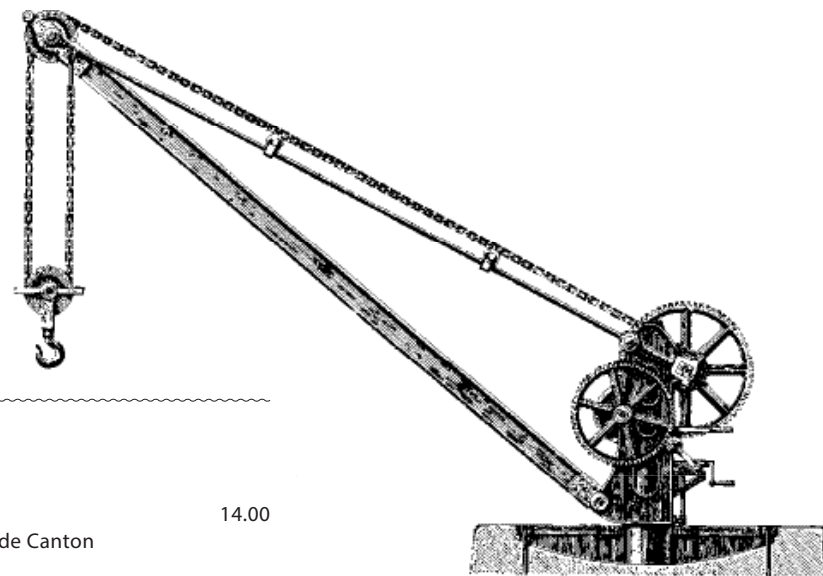
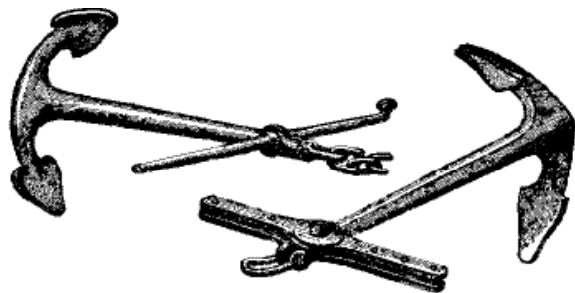
Bruichladdich The Classic Laddie whisky, homemade lavender syrup, lychee juice, egg white, lime juice, Boswellia serrata tincture.

ESTIVADOR 13.50

Dictador 12 years rum, homemade Brazilian baya syrup, pineapple juice, fresh lime juice.

BANYAN 13.50

Sipsmith gin, homemade Pu-erh tea syrup, Tio Pepe, Italicus Rosolio di Bergamotto, grapefruit bitters, dash of soda.



THE MILLWALL DOCK

Woody, rich & bitter

MILLWALL GRAIN 14.00

Beluga Noble vodka, Kümmel, Domaine de Canton ginger liqueur.

TUMBLEHOME 14.50

VII Hills gin, dash of Ardbeg 10 years whisky, Bulleit rye-infused chamomile, homemade Ceylon Dimbula syrup, lemon bitters.

SLIPWAY 13.50

Olmeqa Blanco tequila, Mancino Vermouth Rosso, 3Cactus syrup, Cointreau, bitters.

BARQUENTINE 13.50

Balvenie 12 years whisky, dash of Ardbeg 10 years whisky, homemade ginger syrup, manuka honey, fresh lemon juice.

BERTH LINE 12.50

Four Roses Yellow Label Bourbon, Lucano Anniversario, homemade cinnamon & rue herb syrup.

WHARFINGER 14.00

Martell VS cognac, Roots Mastiha liqueur, Mancino Vermouth Secco, Amaro Montenegro, orange bitters.

GWLIT'S WAREHOUSE

BLACKWALL FRIGATE 13.50

Sailor Jerry Spiced rum, Mancino Vermouth Rosso, dandelion tincture (acacia barrel).

LAYTIME 13.50

Quiquiriqui Matatlan Mezcal Joven, Antica Formula vermouth, echinacea tincture (almond tree barrel).

BOWLINE 13.50

Monkey Shoulder whisky, Cocchi di Torino vermouth, lomatium root tincture (cherry tree).

